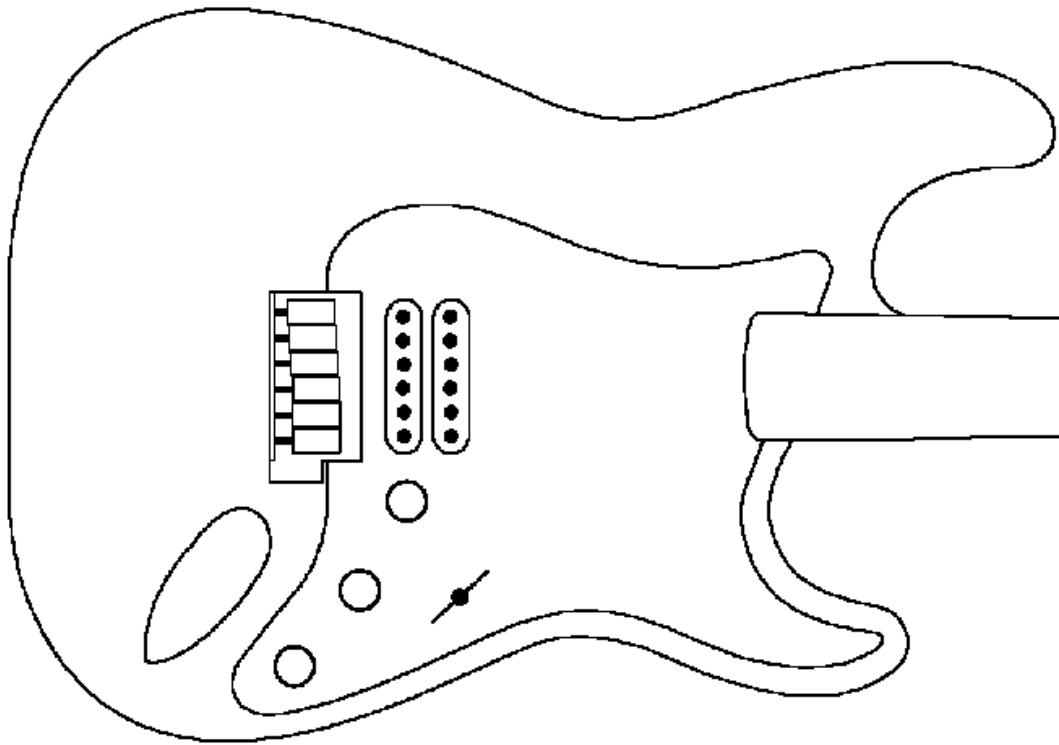


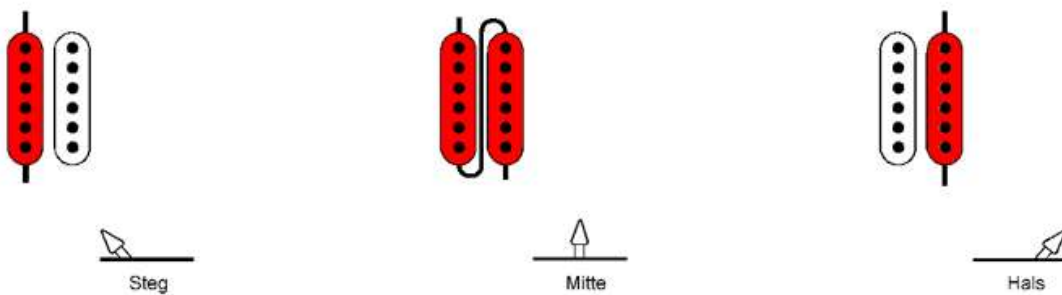
H

H: Humbucker on the bridge

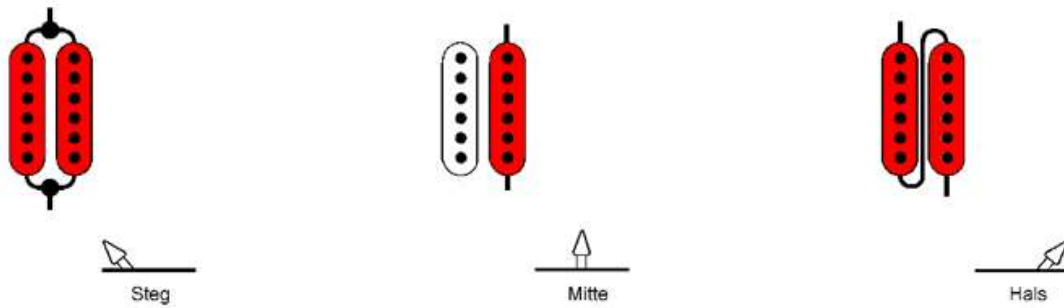
Overview



H1. Three positions, outer coil, both in series, inner coil, Megaswitch T



H2. Three positions, both parallel, Inner coil, both in series, Megaswitch T

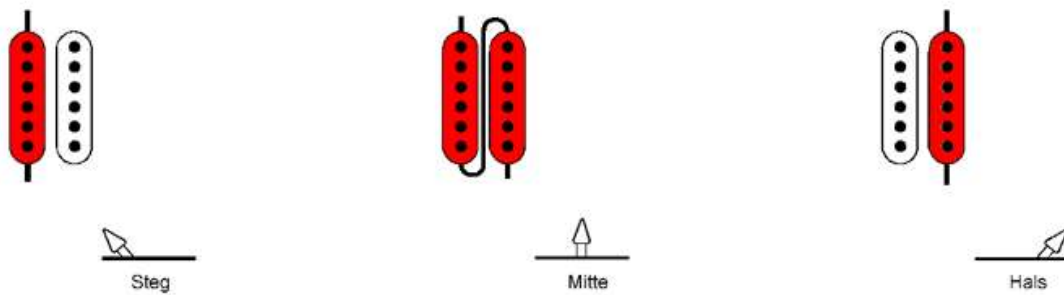


Detail drawing

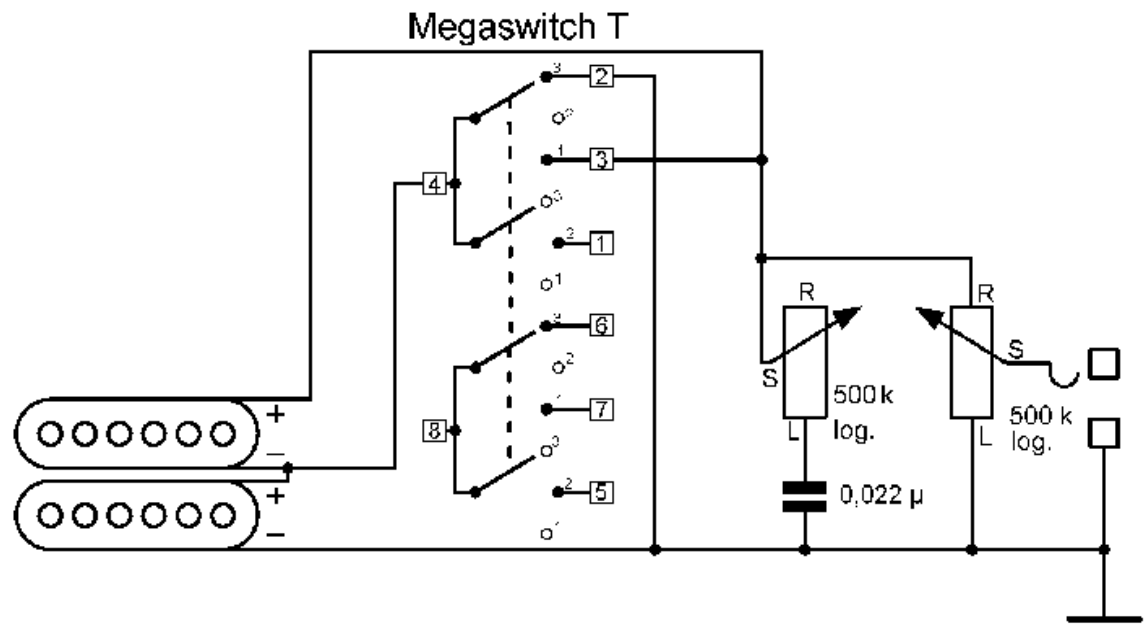
H1. Three positions, outer coil, both in series, inner coil, Megaswitch T

A Megaswitch can also be installed on guitars which feature a single Humbucker (usually on the bridge). Both coils can be switched individually or in series, for example. The Megaswitch T is ideal for this purpose.

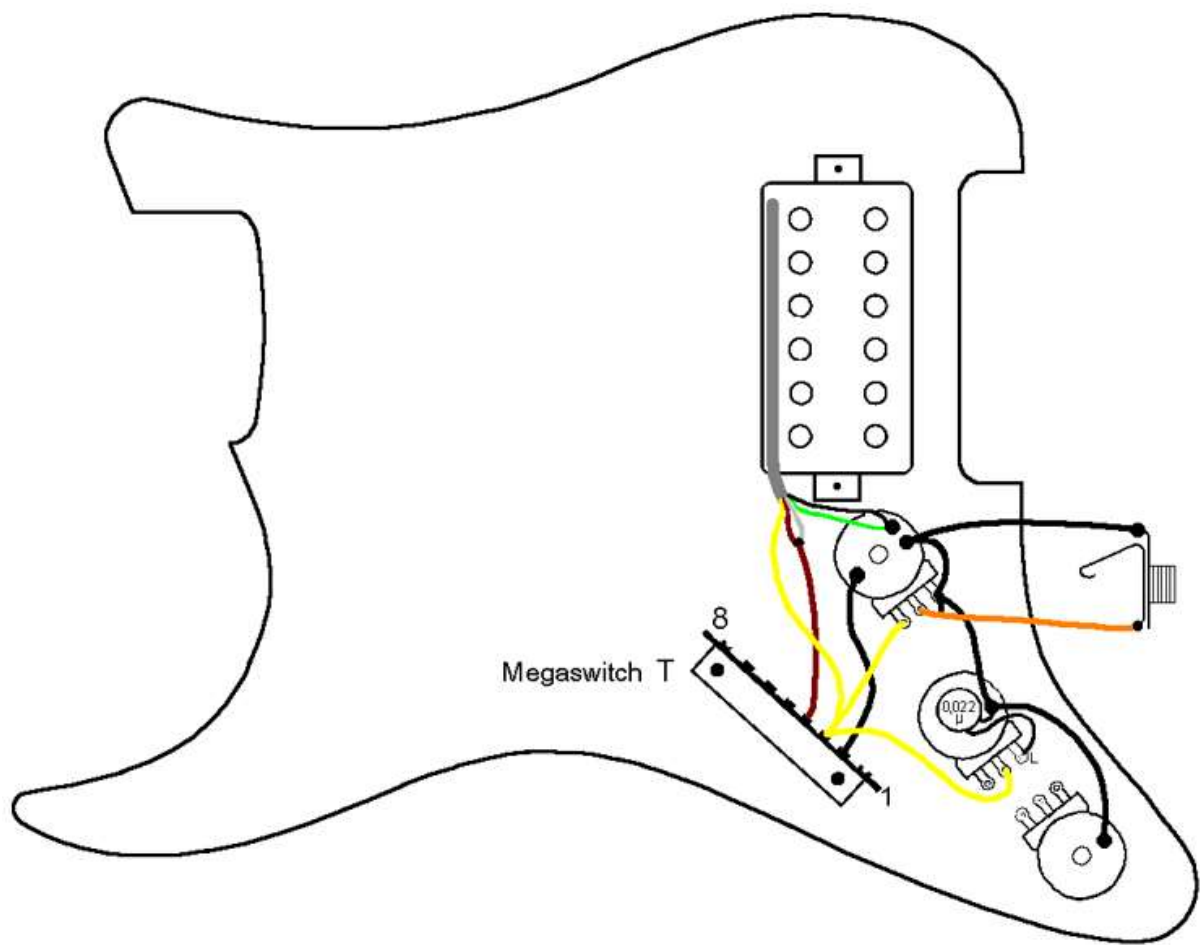
Switching functions:



Electrical switching principle:



Wiring diagram:



Connections:

Positions

- 1 outer coil
- 2 humbucker in series
- 3 inner coil

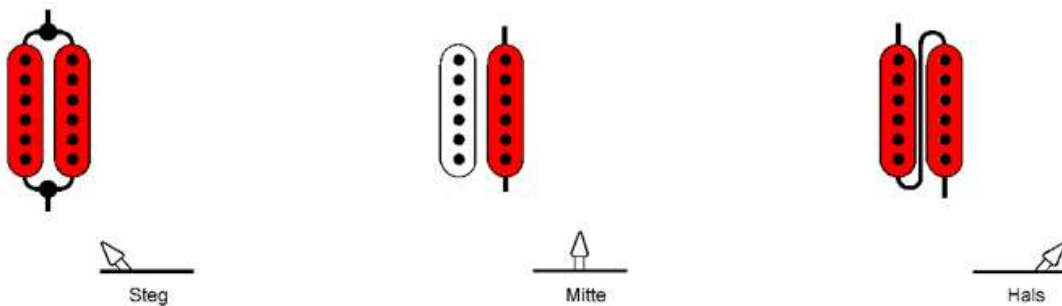
Connections

- 1 -
 - 2 ground
 - 3 hot wire inner coil and output
 - 4 hot wire outer coil and cold wire inner coil
 - 5 -
 - 6 -
 - 7 -
 - 8 -
- ground: 2, cold wire outer coil
-

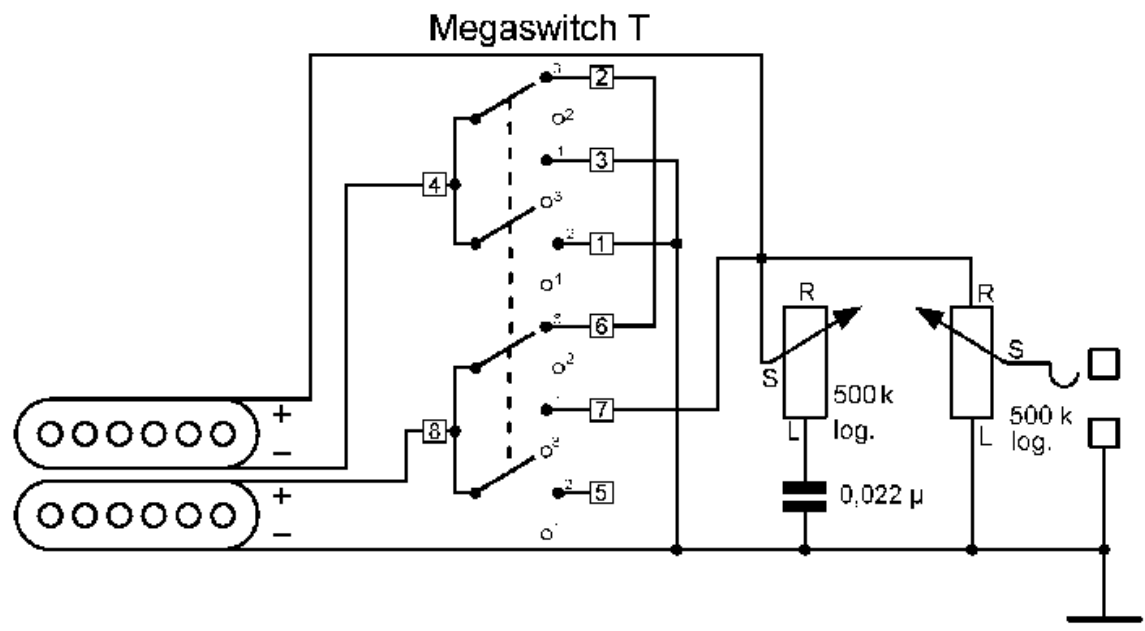
H2. Three positions, both parallel, Inner coil, both in series, Megaswitch T

This switching system for guitars with a single Humbucker makes the following possible; parallel switching of both coils, single coil mode and switching in series. The Megaswitch T is ideal for this purpose.

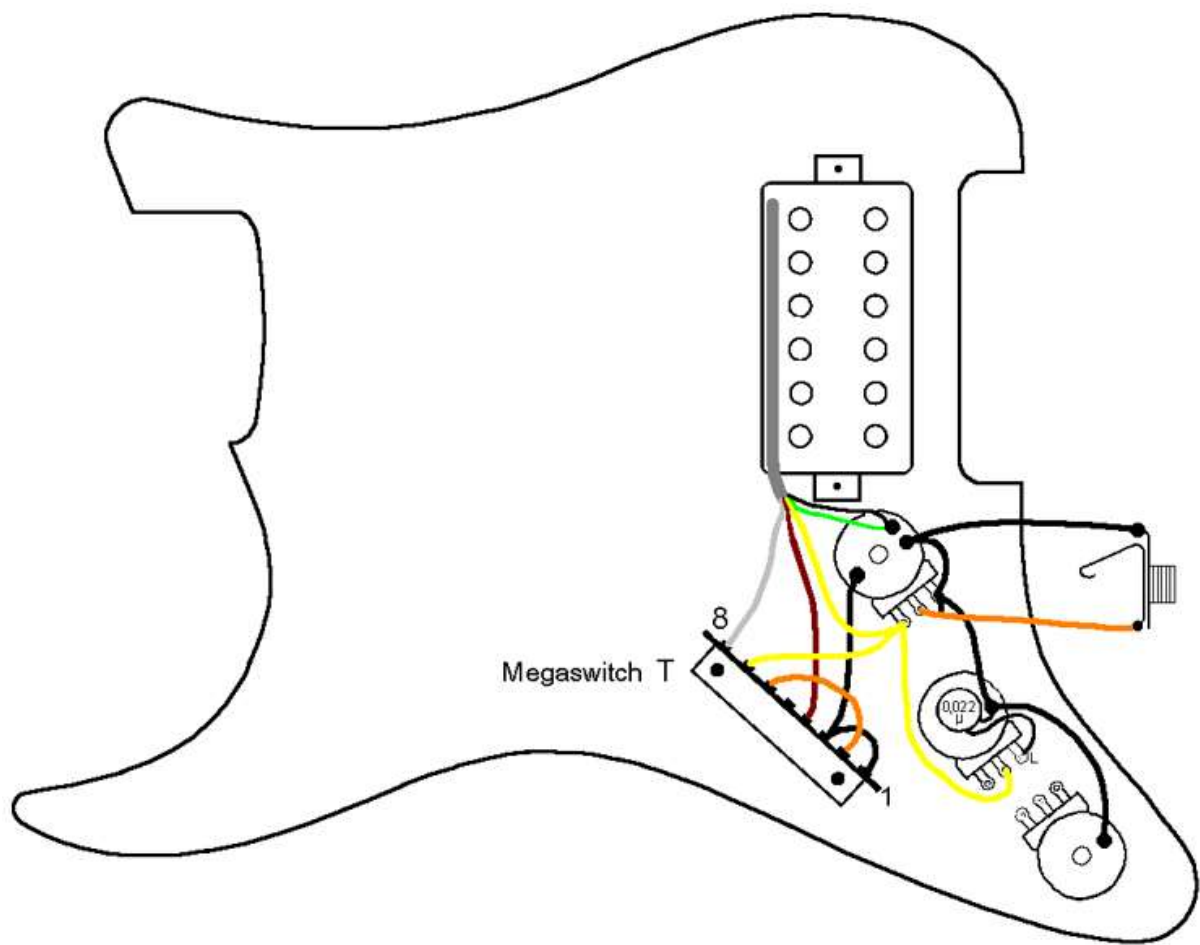
Switching functions:



Electrical switching principle:



Wiring diagram:



Connections:

Positions

- 1 humbucker parallel
- 2 outer coil
- 3 humbucker in series

Connections

- 1 to 3, ground
- 2 to 6
- 3 to 1, ground
- 4 cold wire inner coil
- 5 -
- 6 to 2
- 7 hot wire inner coil and output
- 8 hot wire outer coil
- ground: 1, 3, cold wire outer coil